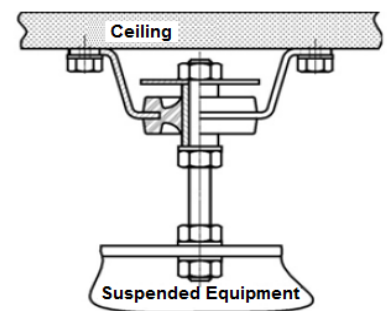
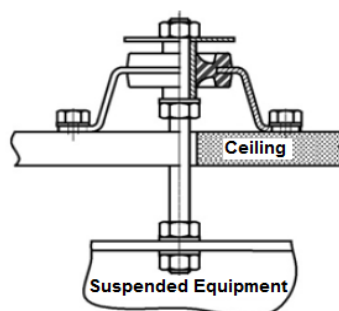
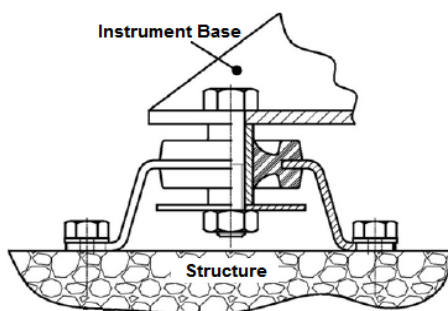


## Description:

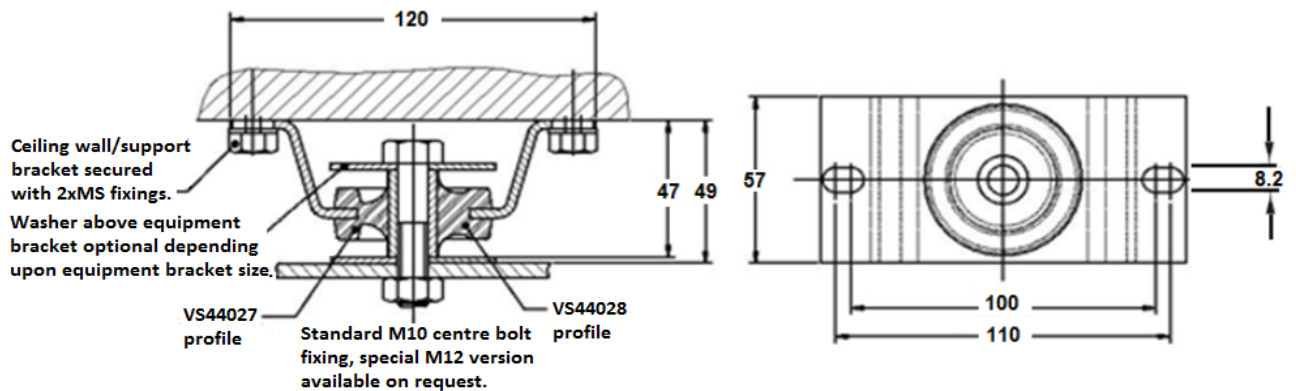
Vibracoustics Ltd Pedestal Instrument Mountings have the same characteristics as the Flanged Instrument Mountings, but have the outer bracket mounting facility. They are available as captive failsafe assemblies when used with overload and rebound washers.

## Typical Applications Include:

- Instrument panels.
- Electric motors.
- Ceiling mounts.
- Lightweight fans or compressors.
- Air conditioning units.
- Radiators.



## Installation Information:



Part No.	Max Load (Kg)	Max Deflection (mm)	Radial Stiffness (N/mm)
VS44027 N43	5.5	3	40
VS44027 N50	10	3	90
VS44027 N60	18	3	130
VS44027 N70	27	3	200
VS44028 N43	11	3	*
VS44028 N50	20	3	*
VS44028 N60	35	3	*
VS44028 N70	57	3	*

**Part No. Identification:** E.g. VS44027 N60 M10 AS1 - Centre bolt fixing M10 or M12.

Full captive failsafe assembly option the Part No. carries the suffix AS1. Part supplied with washer WASH974218, two washers size 54mm $\varnothing$  by 2mm thick.